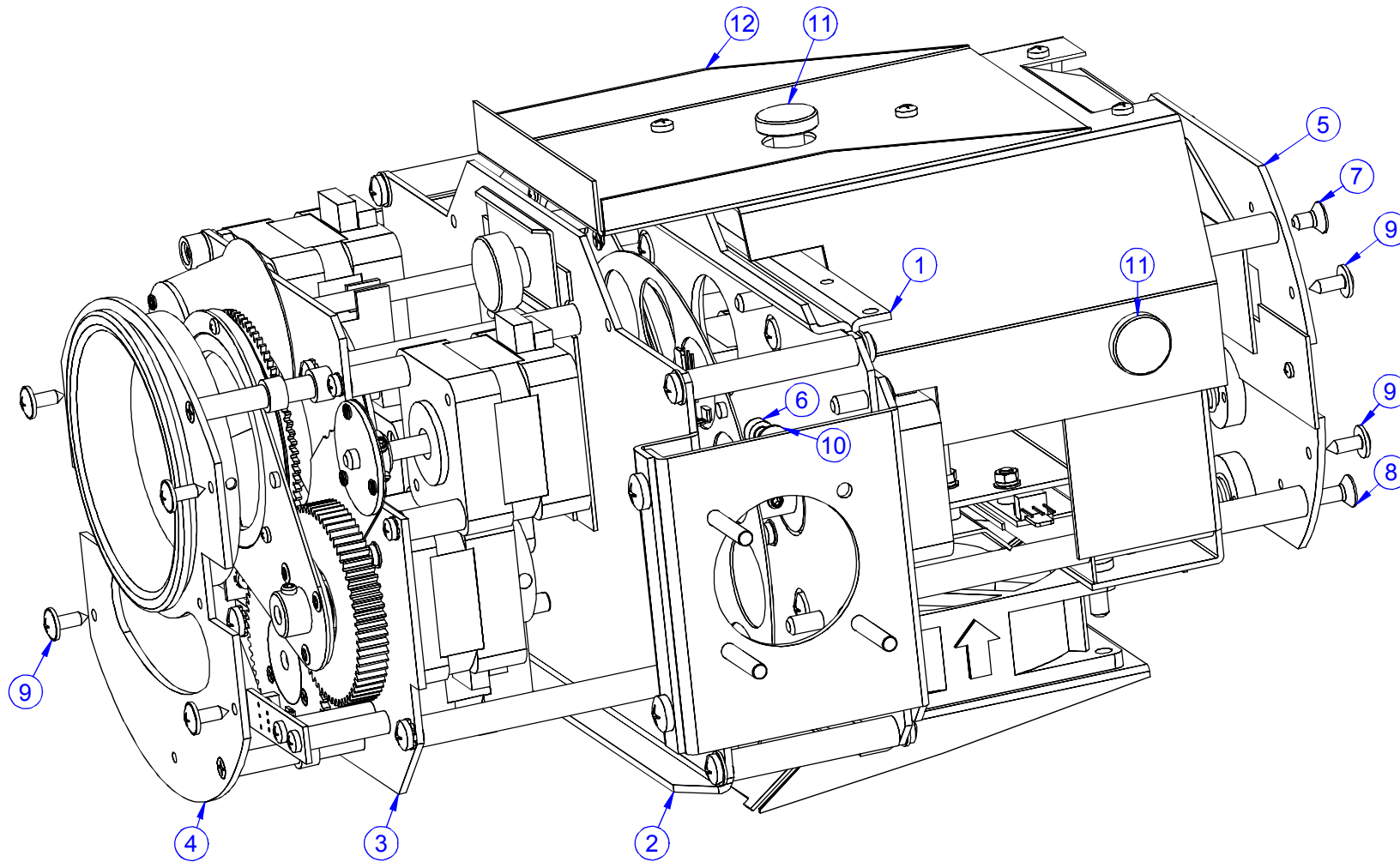
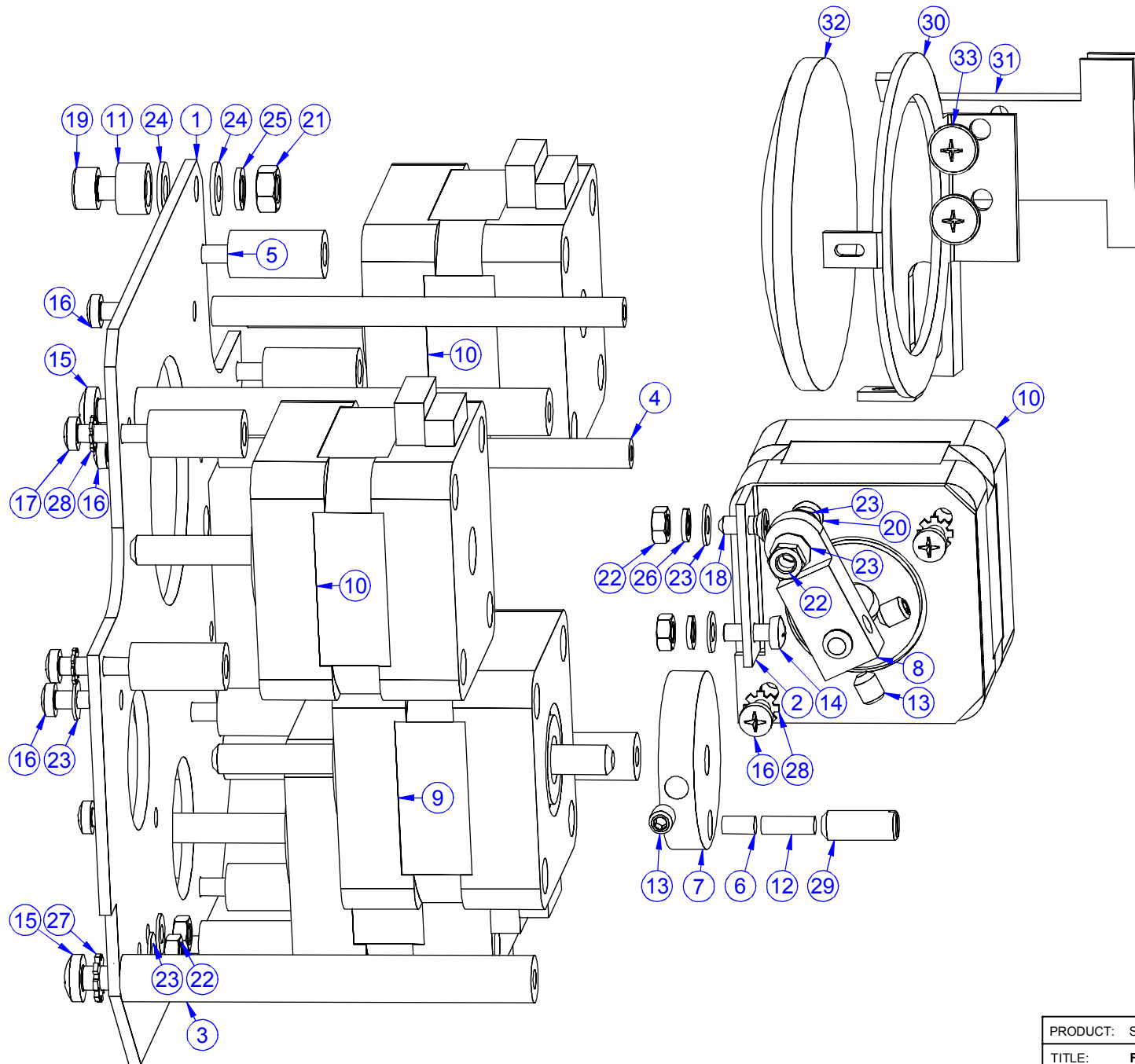


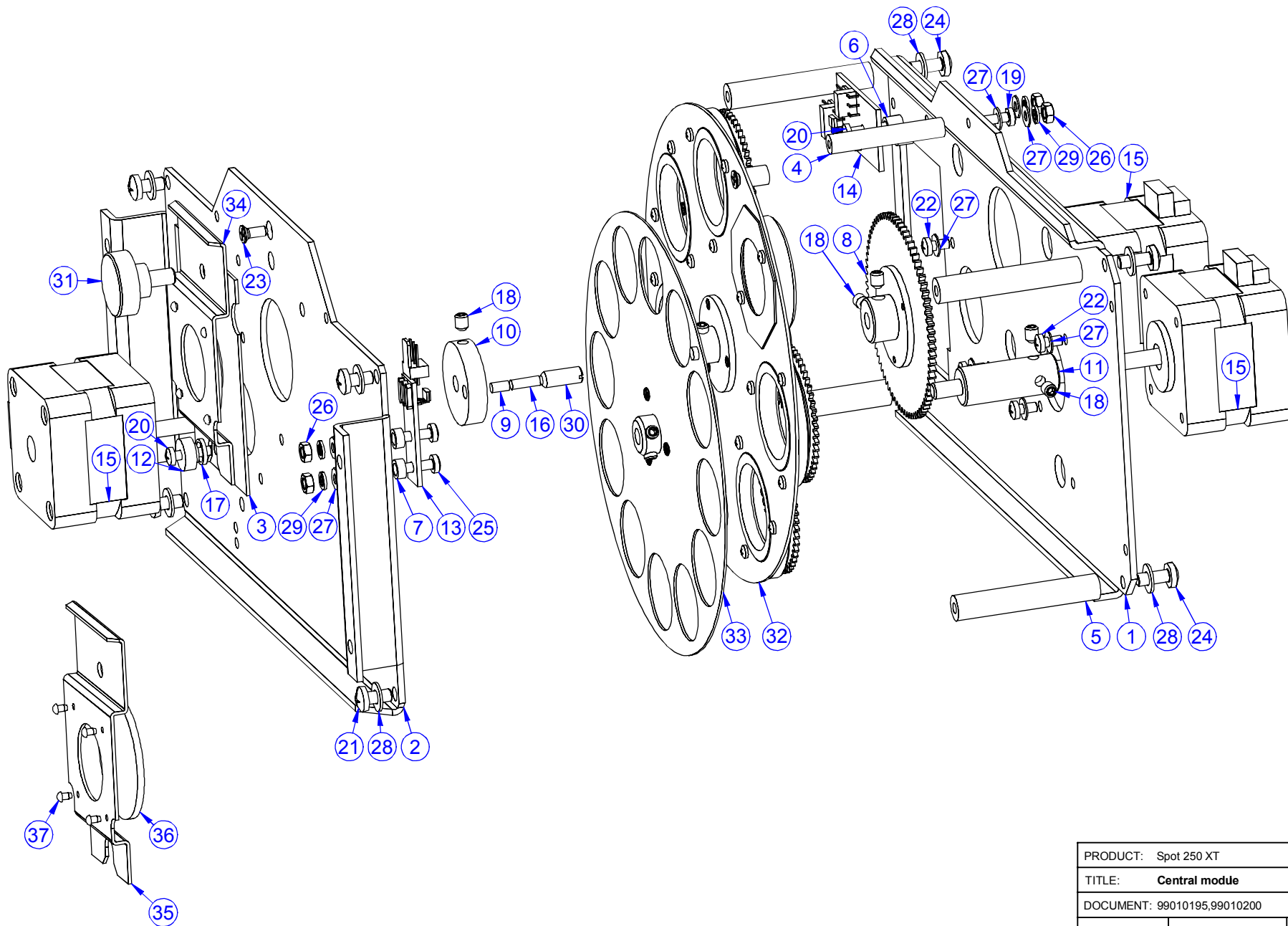
PRODUCT: Spot 250 XT		
TITLE: Covers		
DOCUMENT: 99010467		
VERSION: B	DATE: 20.5.2003	SHEET: 1 OF 13



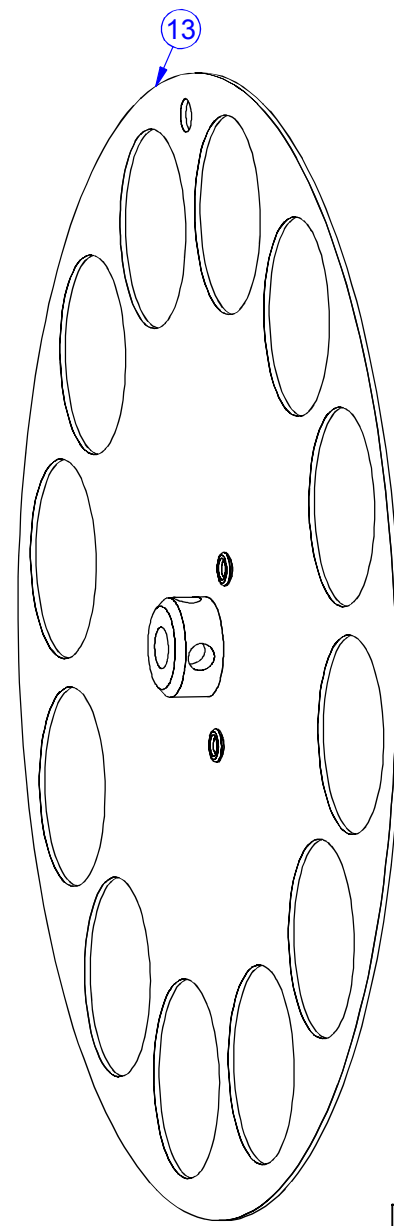
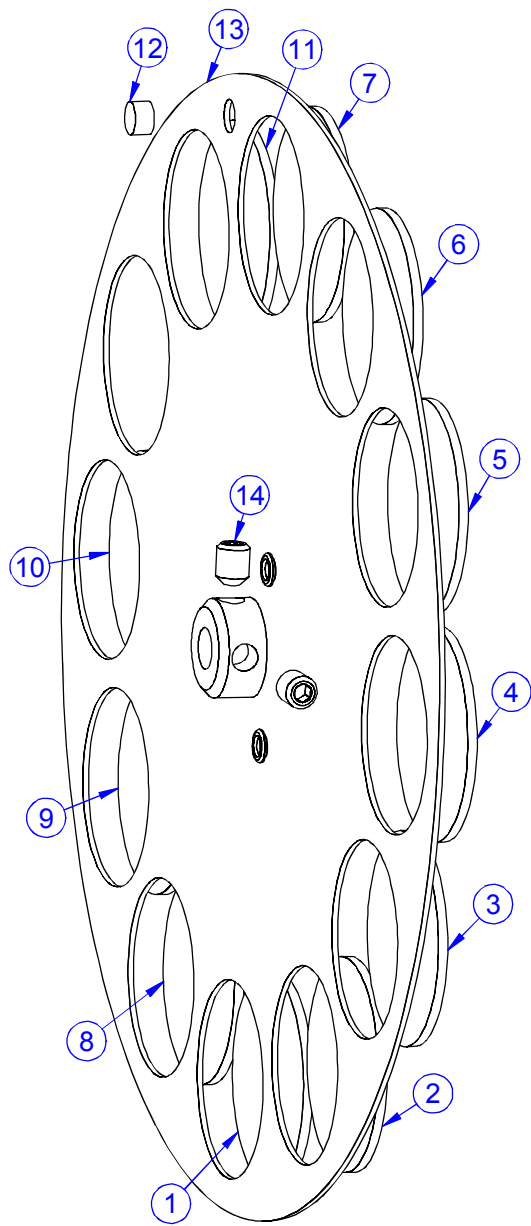
PRODUCT: Spot 250 XT		
TITLE: Assembly of head		
DOCUMENT: 99010195		
VERSION: B	DATE: 20.5.2003	SHEET: 2 OF 13



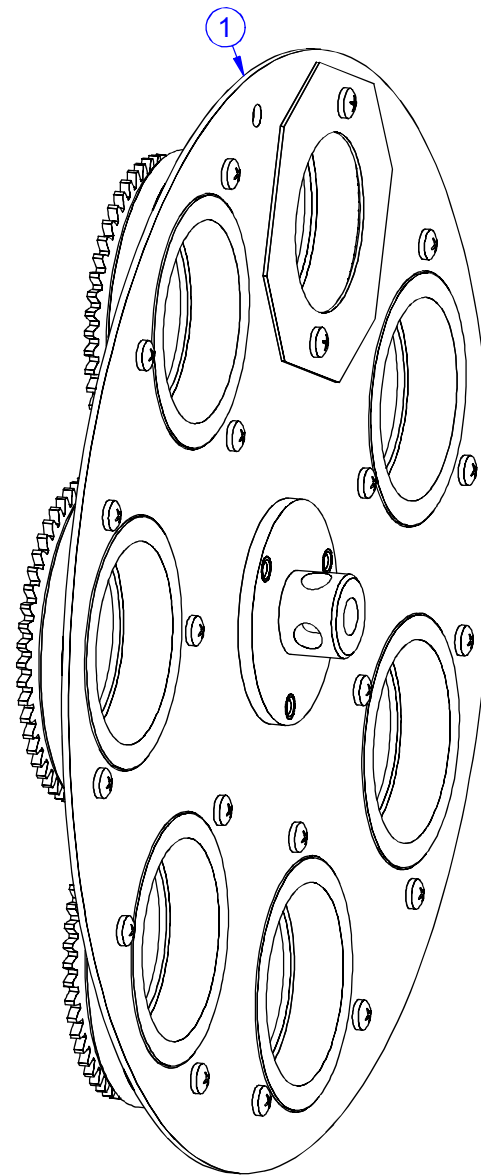
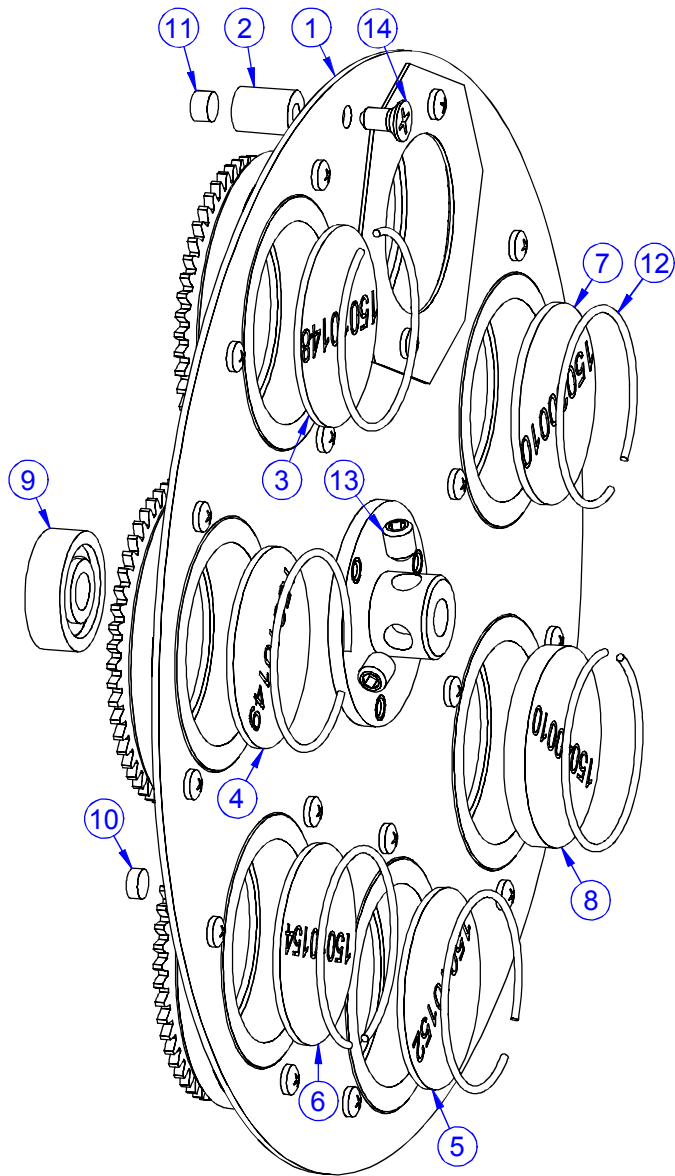
PRODUCT: Spot 250 XT		
TITLE: Focus		
DOCUMENT: 99010195.99010048		
VERSION: B	DATE: 20.5.2003	SHEET: 4 OF 13



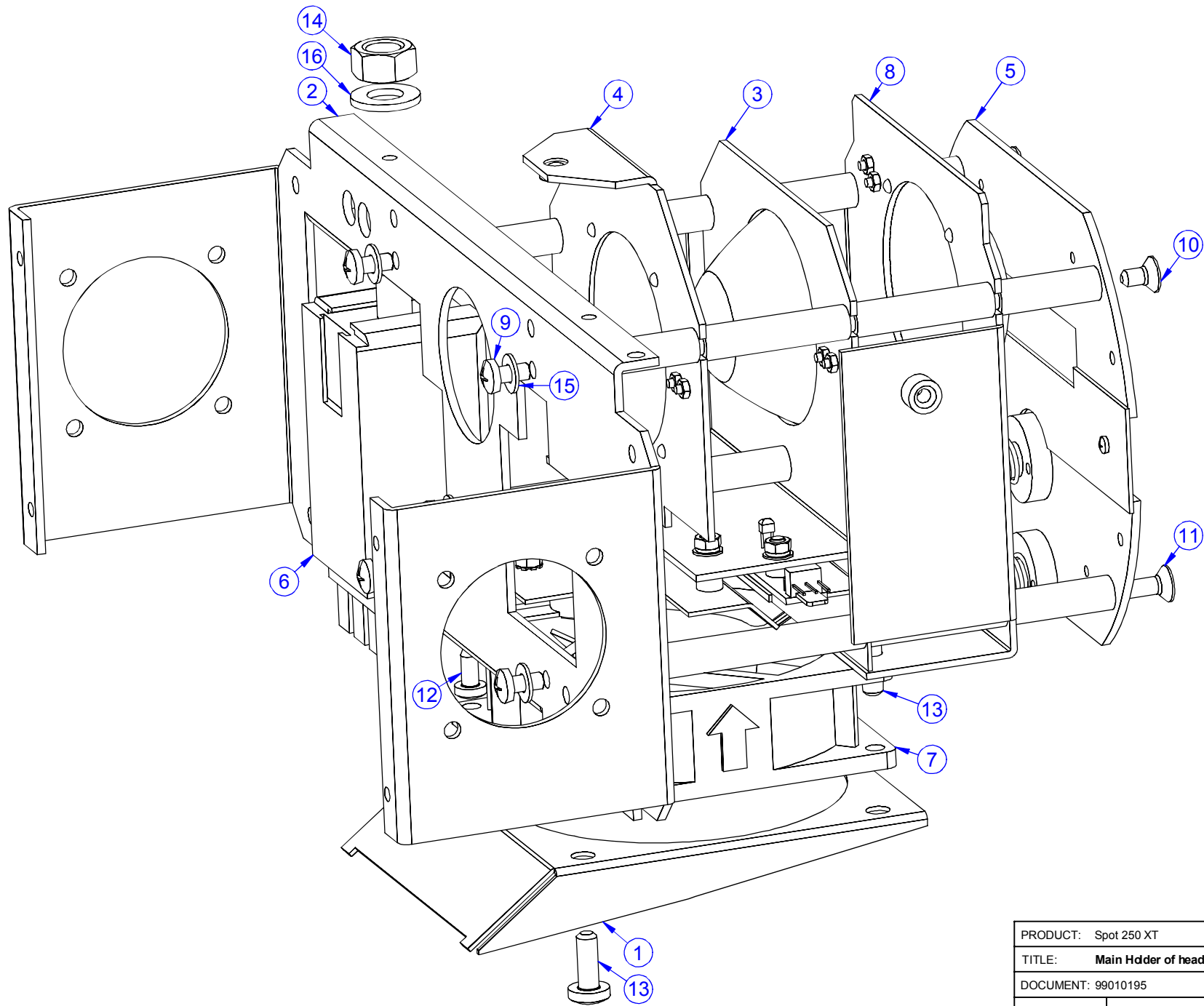
PRODUCT: Spot 250 XT		
TITLE: Central module		
DOCUMENT: 99010195.99010200		
VERSION: B	DATE: 20.5.2003	SHEET: 5 OF 13



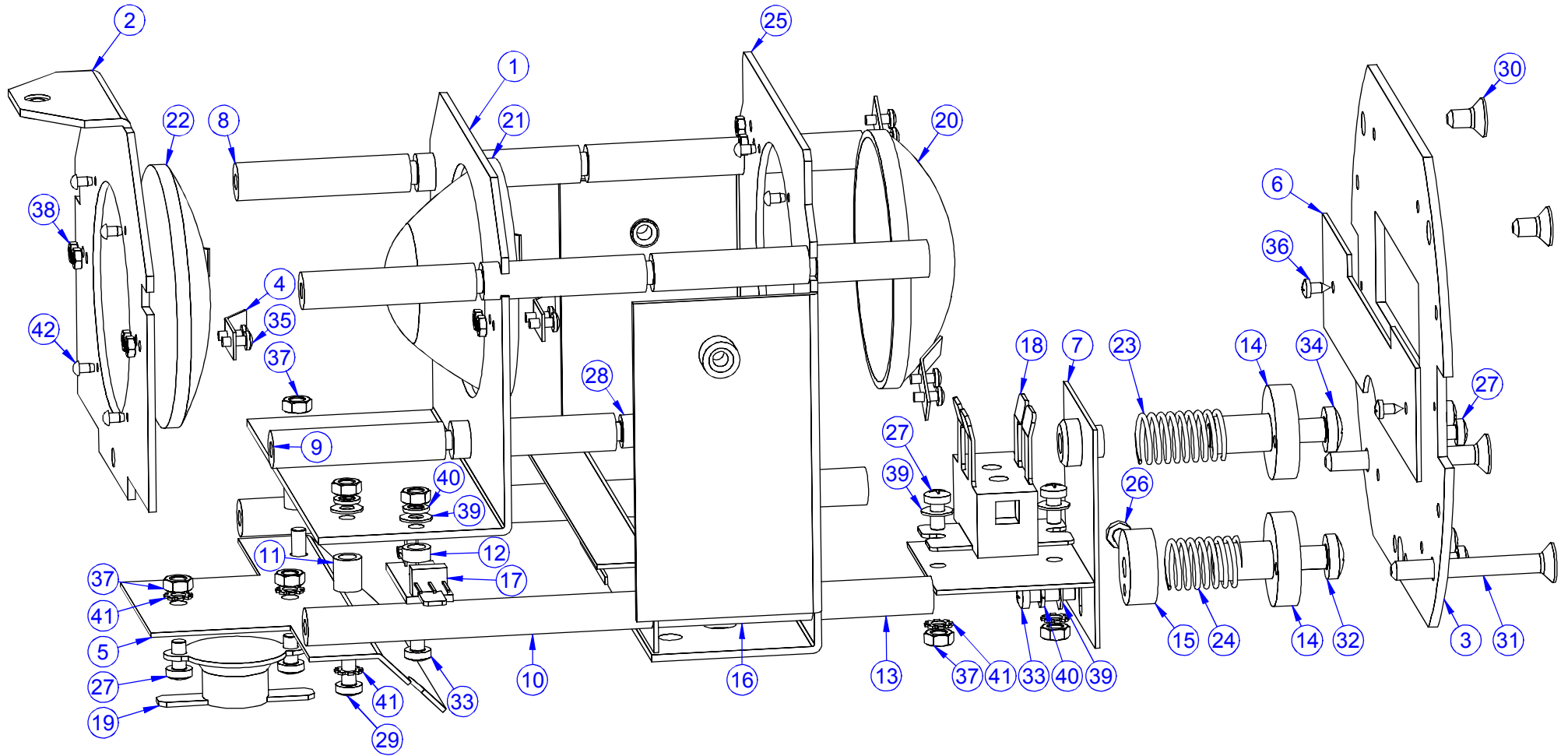
PRODUCT: Spot 250 XT		
TITLE: Colour wheel		
DOCUMENT: 99010045		
VERSION: B	DATE: 20.5.2003	SHEET: 6 OF 13



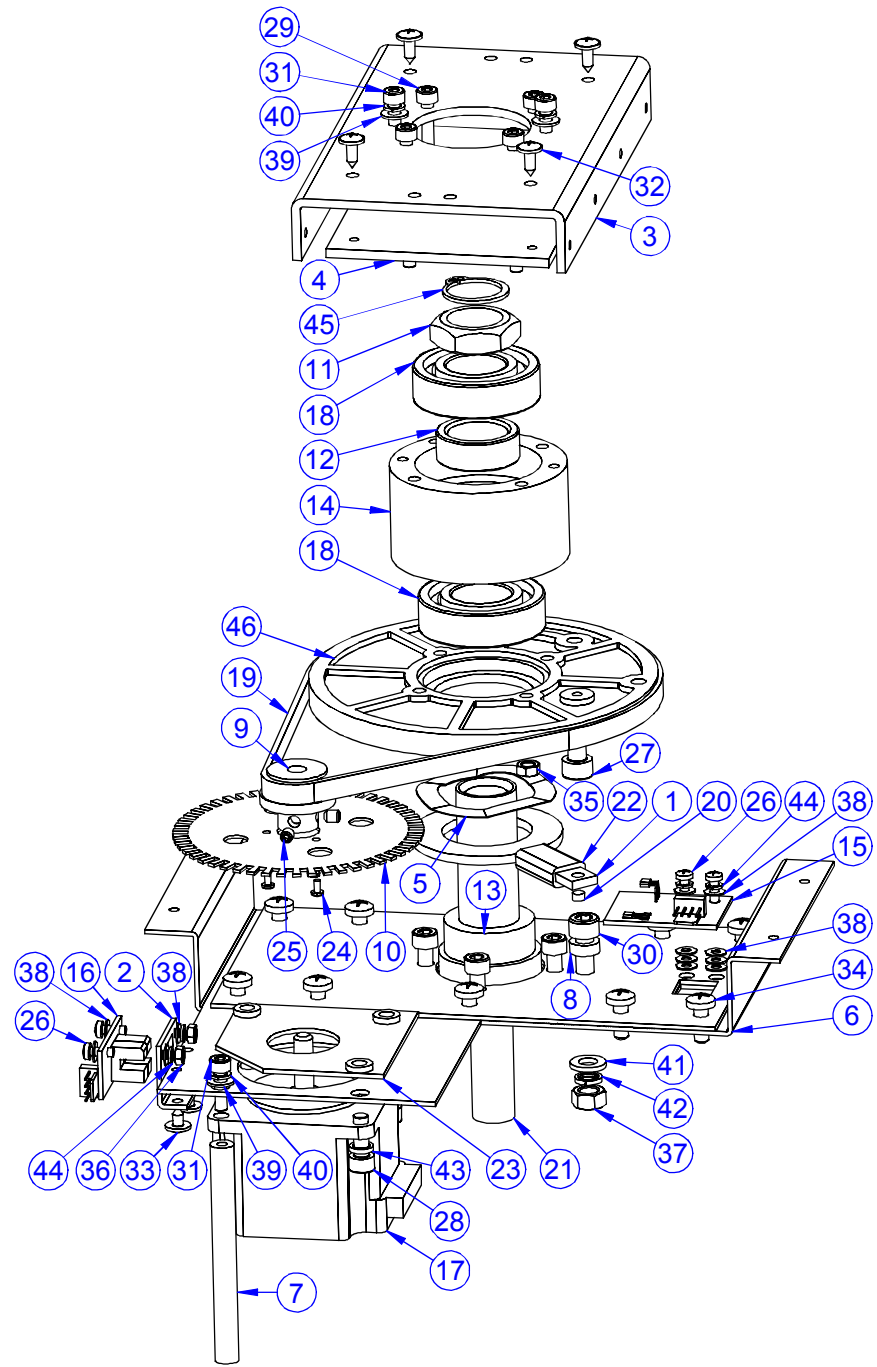
PRODUCT: Spot 250 XT		
TITLE: Gobo wheel		
DOCUMENT: 99010001		
VERSION: B	DATE: 20.5.2003	SHEET: 7 OF 13



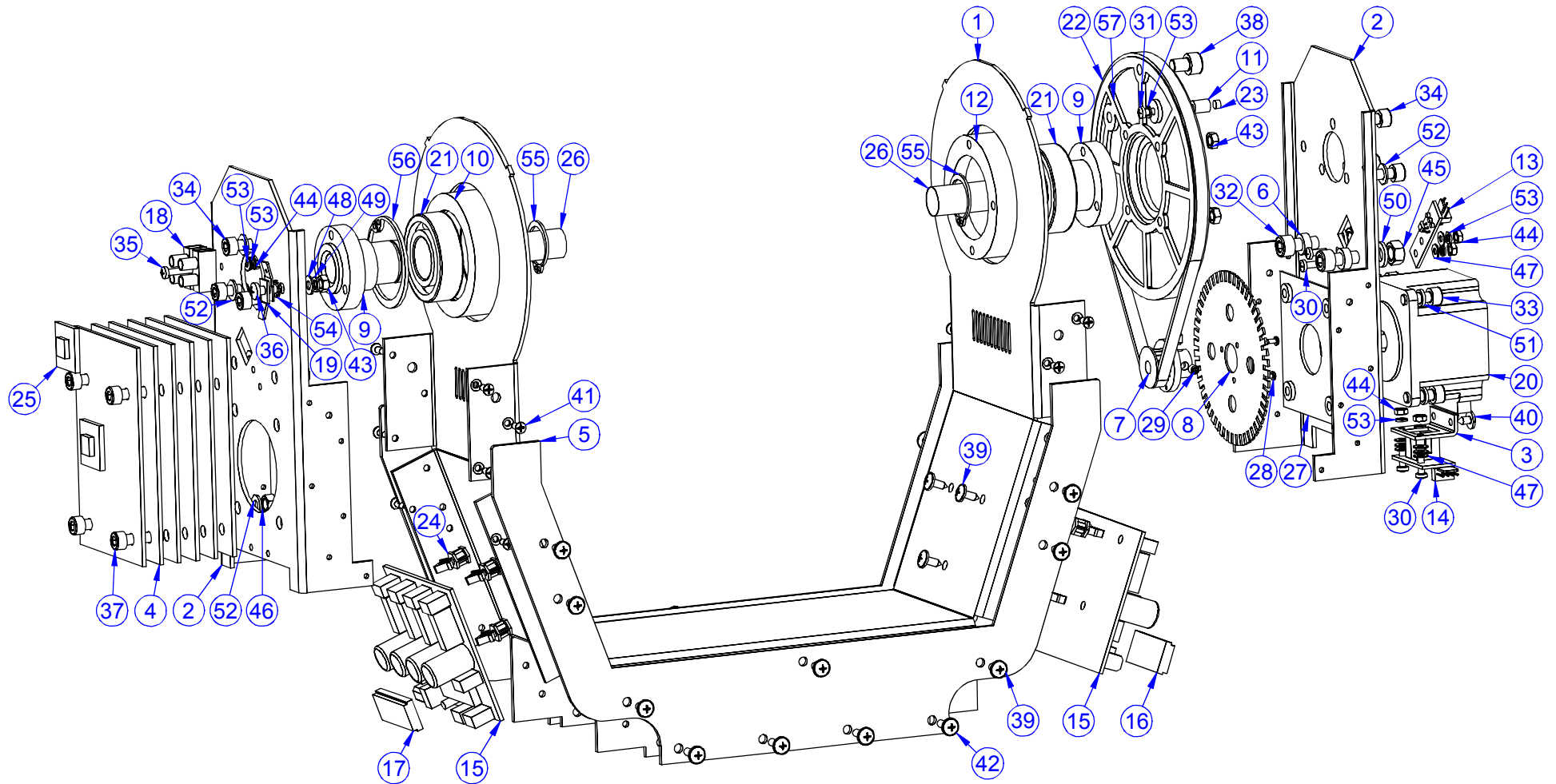
PRODUCT: Spot 250 XT		
TITLE: Main Hdder of head		
DOCUMENT: 99010195		
VERSION: B	DATE: 20.5.2003	SHEET: 8 OF 13



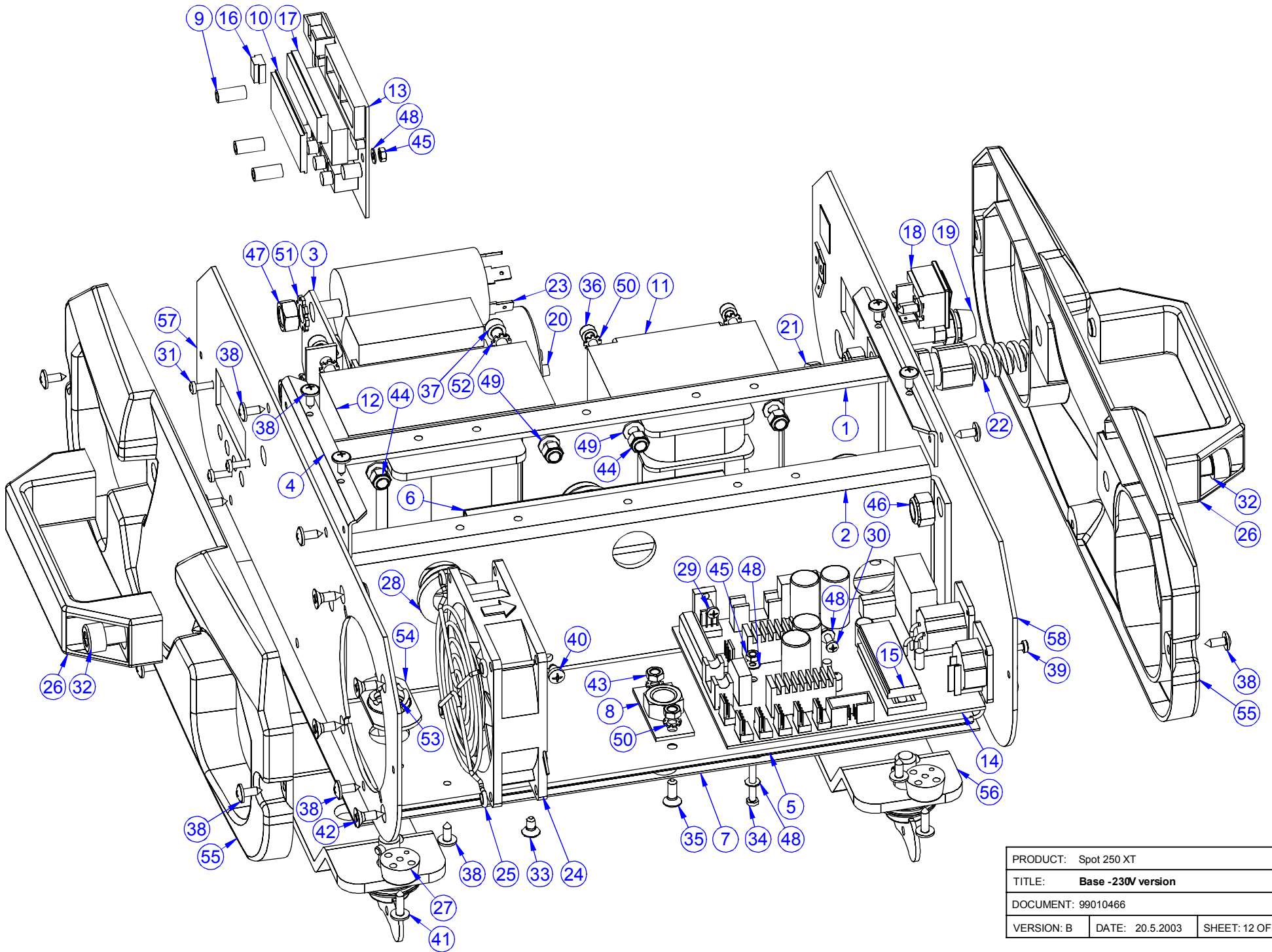
PRODUCT: Spot 250 XT		
TITLE: Source of light		
DOCUMENT: 99010042		
VERSION: B	DATE: 20.5.2003	SHEET: 9 OF 13



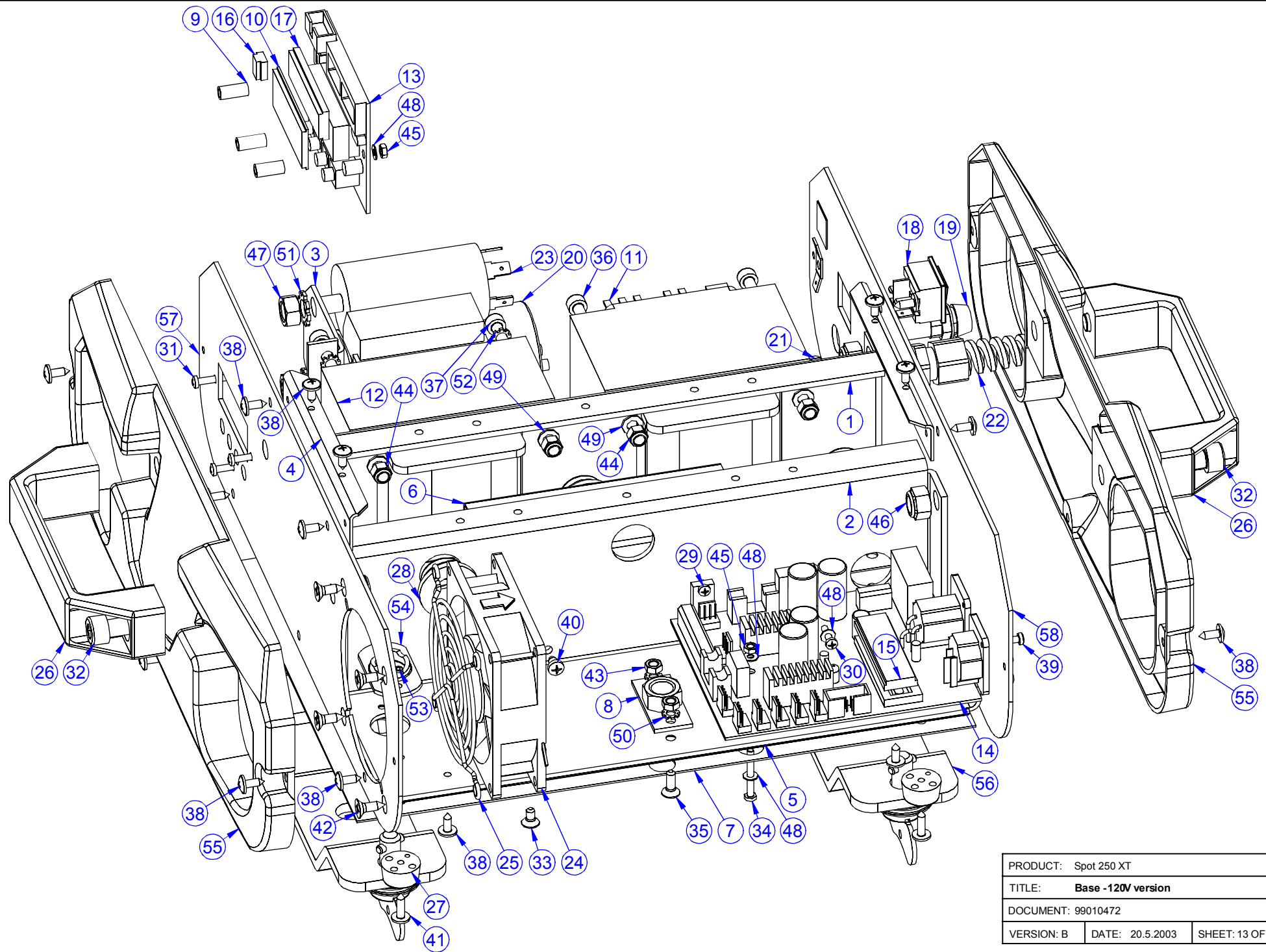
PRODUCT: Spot 250 XT		
TITLE: Axe "X"		
DOCUMENT: 99010252		
VERSION: B	DATE: 20.5.2003	SHEET: 10 OF 13



PRODUCT: Spot 250 XT		
TITLE: Arm of head		
DOCUMENT: 99010099		
VERSION: B	DATE: 20.5.2003	SHEET: 11 OF 13



PRODUCT: Spot 250 XT		
TITLE: Base -230V version		
DOCUMENT: 99010466		
VERSION: B	DATE: 20.5.2003	SHEET: 12 OF 13



PRODUCT: Spot 250 XT		
TITLE: Base - 120V version		
DOCUMENT: 99010472		
VERSION: B	DATE: 20.5.2003	SHEET: 13 OF 13